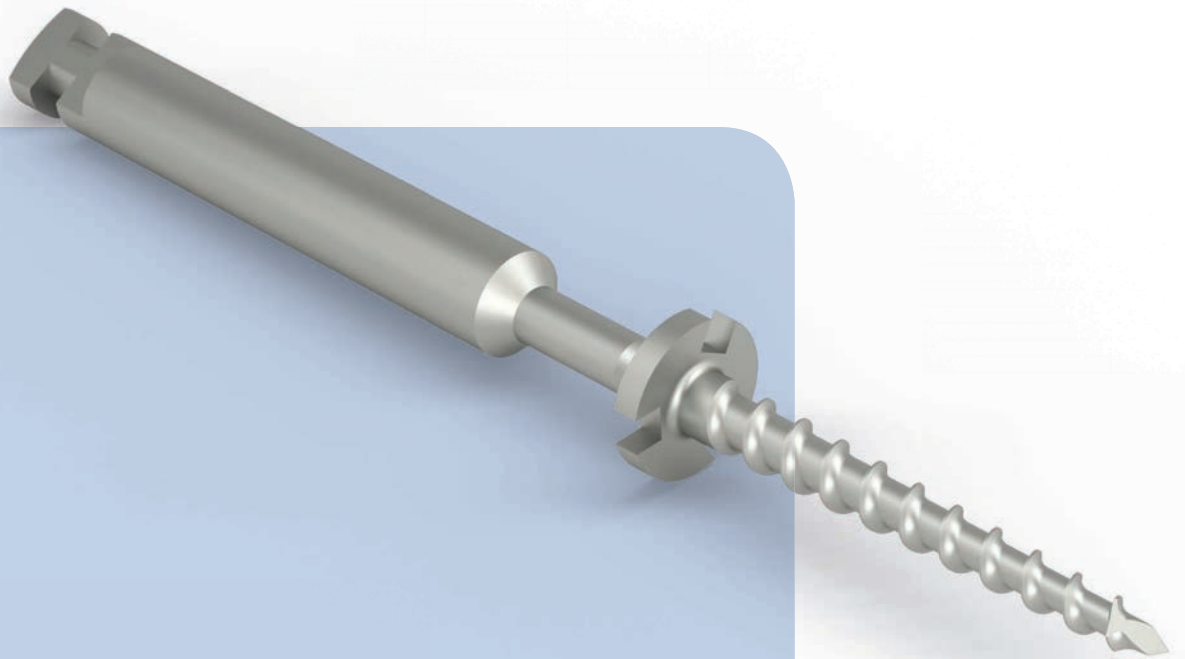


EASY TO USE - EFFICIENT - CONVENIENT

OSTEOSYNTHESIS SCREW



*Specially designed
for dental surgery*

anthogyr

A global solution for **dental implantology**

Bone augmentation is often necessary in dental implant surgery to ensure a successful outcome with restoration of functionality and aesthetics. The Anthogyr osteosynthesis screw is specially intended for bone grafting procedures involving the upper or lower jawbone. Its unique design and ease of use make it a must-have for any dental surgeon who has extensive experience in onlay grafting or is willing to become familiar with this technique.

► HIGHLIGHTS

SPECIALLY DESIGNED FOR FIXATION OF AN ONLAY BONE GRAFT IN A RECIPIENT SITE.

→ **Conical screw (Fig. 1):**

- Easy and quick insertion and removal.

→ **Snap-off screw. Can be used with a contra-angle handpiece (Fig. 1 and 2):**

- Saves time during the surgery.
- Sharp cut obtained at 10 Ncm.
- Excellent holding power.
- Cutting point designed to avoid damage to the adjacent soft tissue.

→ **Self-drilling screw specially intended for onlay bone grafts (Fig. 3):**

- Easy handling and insertion
- Flat head.

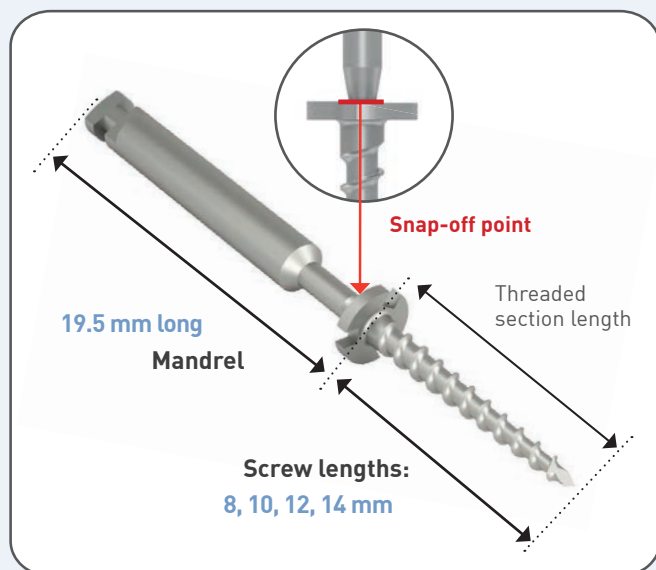
→ **Flat head screw (Fig. 4 and 5):**

- Optimal stabilization of the bone graft.

→ **Disposable screw. Sterile. 2 units per box:**

- Ready for use.

Fig. 1



ORDERING INFORMATION

CO GREF08: 8 mm screw.
CO GREF10: 10 mm screw.
CO GREF12: 12 mm screw.
CO GREF14: 14 mm screw.
INKTGF: Surgical kit*.

Fig. 2: Screw head

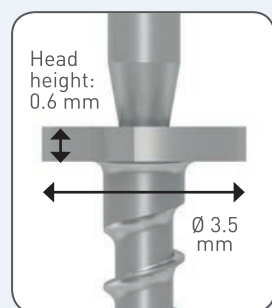


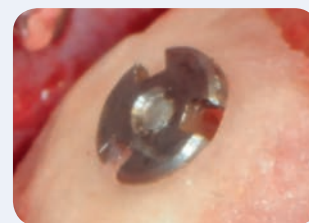
Fig. 3



Fig. 4



Fig. 5



*Surgical Kit **INKTGF** includes one 1.5 mm diameter drill (**INFH15100**), one short mandrel (**INGF002**), one long key (**INGF004**) and one holding key (**INGF005**).